

FE3031A

AT Data Buffer

TABLE OF CONTENTS

Section	Title	Page
1.0	INTRODUCTION	7-1
	1.1 Description	7-1
	1.2 Features	7-1
2.0	SIGNAL DESCRIPTIONS	7-4
3.0	PC/AT DATA BUS CYCLES	7-7
4.0	CPU CYCLES	7-9
	4.1 16-Bit Read from 16-Bit Device	7-9
	4.2 16-Bit Write to 16-Bit Device	7-10
	4.3 16-Bit Read from 8-Bit Device	7-10
	4.4 16-Bit Write to 8-Bit Device	7-11
	4.5 8-Bit, Low Byte Read from 8- or 16-Bit Device	7-12
	4.6 8-Bit, Low Byte Write to 8- or 16-Bit Device	7-12
	4.7 8-Bit, High Byte Read from 8-Bit Device	7-13
	4.8 8-Bit, High Byte Write to 8-Bit Device	7-13
	4.9 8-Bit, High Byte Read from 16-Bit Device	7-14
	4.10 8-Bit, High Byte Write to 16-Bit Device	7-14
5.0	DMA CYCLES	7-15
	5.1 8-Bit DMA Transfer From Even Memory Address to 8-Bit I/O Device	7-15
	5.2 8-Bit DMA Transfer to Even Memory Address from 8-Bit I/O Device	7-16
	5.3 8-Bit DMA Transfer from Odd Memory Address to 8-Bit I/O Device	7-16
	5.4 8-Bit DMA Transfer to Odd Memory Address from 8-Bit I/O Device	7-17
	5.5 16-Bit DMA Transfer From Memory to 16-Bit I/O Device	7-17
	5.6 16-Bit DMA Transfer to Memory From 16-Bit I/O Device	7-18
	5.7 8-Bit DMA From 16-Bit Memory, Odd Address to 8-Bit I/O Device	7-18
	5.8 8-Bit DMA to 16-Bit Memory, Odd Address from 8-Bit I/O Device	7-19
	5.9 All Other DMA Cycles (Data Buffers Disabled)	7-19
6.0	BUS MASTER CYCLES	7-20
	6.1 8-Bit Low Byte Read from Memory	7-20
	6.2 8-Bit Low Byte Write to Memory	7-21
	6.3 8-Bit High Byte Read from Memory	7-21
	6.4 8-Bit High Byte Write to Memory	7-22
	6.5 16-Bit Read from Memory	7-22
	6.6 16-Bit Write to Memory	7-23
	6.7 8-Bit High Byte Read from 8-Bit Device	7-23
	6.8 8-Bit High Byte Write to 8-Bit Device	7-24
7.0	ABSOLUTE MAXIMUM RATINGS	7-24
8.0	DC CHARACTERISTICS	7-25
9.0	AC CHARACTERISTICS	7-26



LIST OF ILLUSTRATIONS

Figure	Title	Page
1-1	FE3031A Pin Locations	7-1
1-2	FE3031A Functional Block Diagram	7-2
1-3	FE3600 B/C Chip Set Functional Block Diagram	7-3
2-1	100-Pin PLCC Packaging Diagram	7-6
3-1	PC/AT Data Bus Architecture	7-7

LIST OF TABLES

Table	Title	Page
2-1	FE3031A Pin Assignment Information	7-4
3-1	Signal Definitions	7-8
8-1	DC Characteristics	7-25
9-1	AC Characteristics	7-26

ADDITIONAL REFERENCES

IBM AT Technical Reference Manual
Intel Microprocessor and Peripheral Handbook



1.0 INTRODUCTION

1.1 DESCRIPTION

The FE3031A is an IBM AT data buffer and parity generator/checker in a 100-pin PLCC package that contains all of the data buffers necessary to implement an AT compatible computer. The FE3031A functions as a peripheral data bus buffer, memory data bus buffer, a parity/generator/checker, and PC/AT data bus buffer.

This document describes the pinouts, signals, timing and electrical specifications of the FE3031A AT Data Buffer IC, which is part of the FE3600 B/C AT Core Logic chip set for 16 MHz 80286 and 80386SX based AT computers at speeds up to 20 MHz.

1.2 FEATURES

- Data Buffer for the FE3600 BC AT 4-chip Core Logic Set
- For 80286 and 80386SX systems, up to 20 MHz.
- Peripheral Data Bus Buffer
- Memory Data Bus Buffers
- Parity Generator/Checker
- 1.25 Micron CMOS Technology
- 100 Pin PLCC

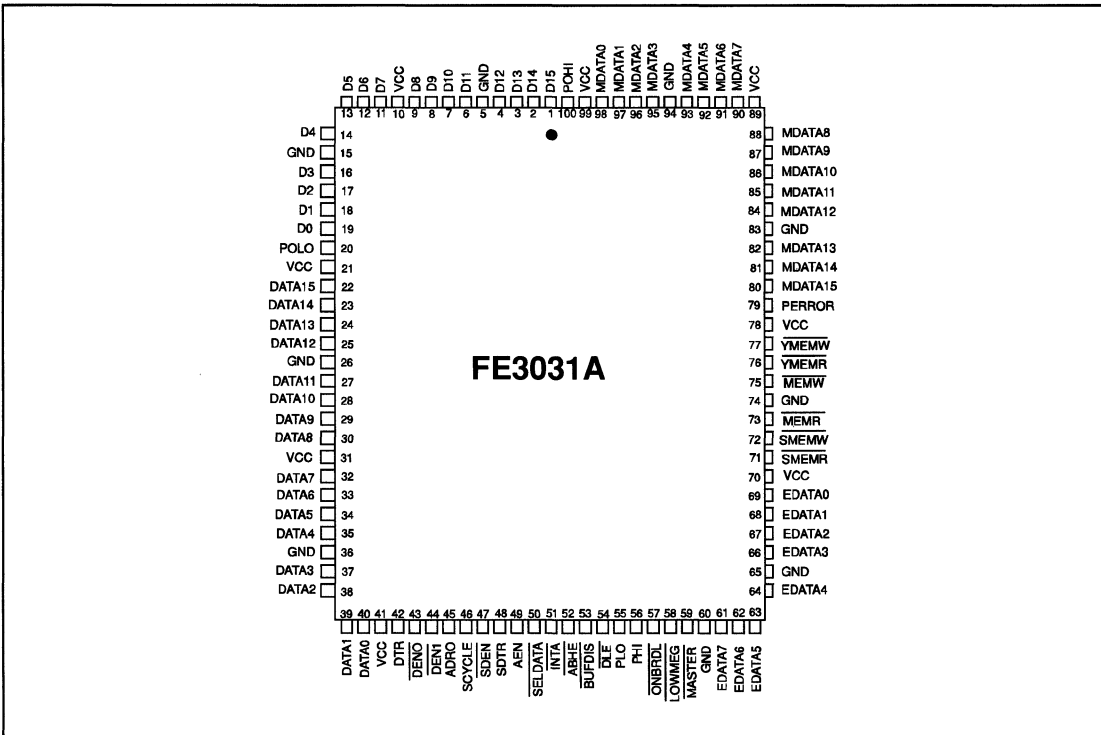


FIGURE 1-1. FE3031A PIN LOCATIONS



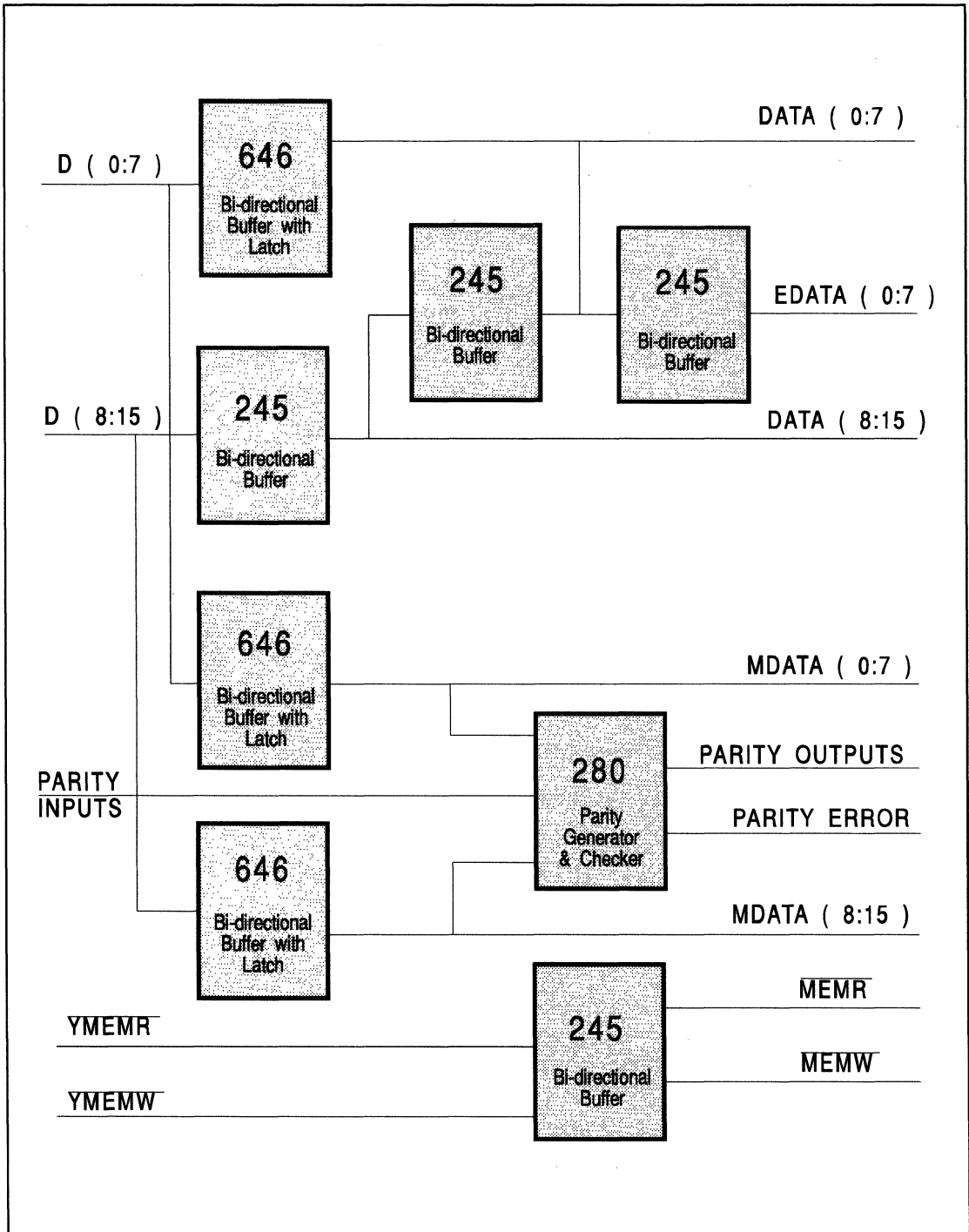


FIGURE 1-2. FE3031A FUNCTIONAL BLOCK DIAGRAM



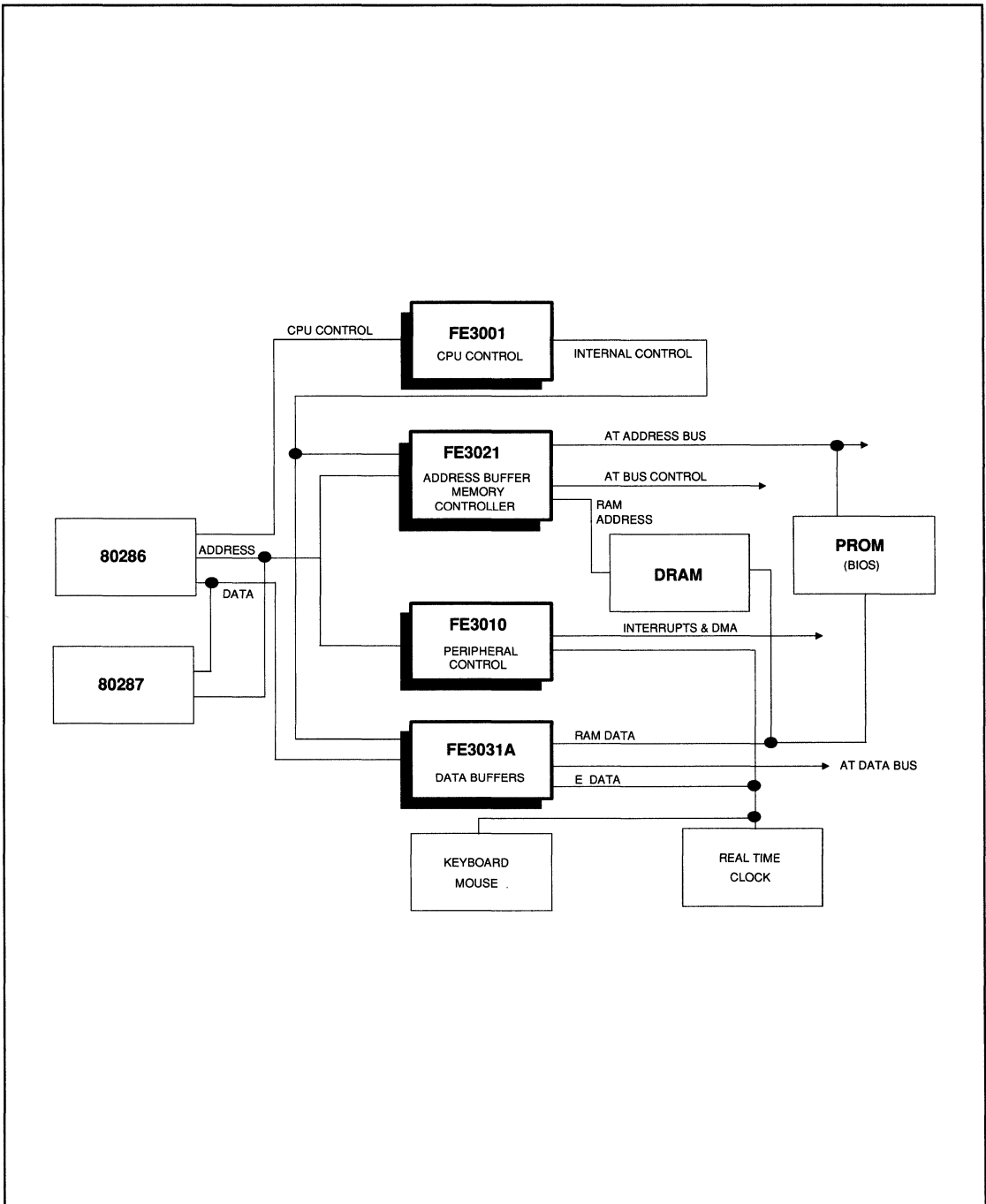


FIGURE 1-3. FE3600 B/C CHIP SET FUNCTIONAL BLOCK DIAGRAM

2.0 SIGNAL DESCRIPTIONS

PIN#	SYMBOL	TYPE	FUNCTION
1-4 6-9 11-14 16-19	D(0:15)	I/O	80286 Local Data Bus
5,15 26,36 60,65 74,83 94	V _{SS}		Ground
10,21 31,41 70,78 89,99	V _{DD}		+5V V _{DD}
20	POLO	O	Low byte parity bit to the DRAMs
22-25 27-30 32-35 37-40	DATA (0:15)	I/O	PC/AT Data Bus
42	DTR	I	Data direction for DATA buffers
43	$\overline{\text{DEN0}}$	I	Low byte data enable to DATA buffers
44	$\overline{\text{DEN1}}$	I	High byte data enable to DATA buffers
45	ADR0	I	Address bit 0 for MDATA buffers and byte swap
46	SCYCLE	I	Latch low byte during byte swap read
47	$\overline{\text{SDEN}}$	I	Byte swap data buffer enable
48	SDTR	I	Byte swap data direction to swap buffer
49	ACK	I	DMA Acknowledge signal to the PC/AT bus
50	$\overline{\text{SELDATA}}$	I	EDATA bus enable
51	$\overline{\text{INTA}}$	I	Interrupt acknowledge
52	$\overline{\text{ABHE}}$	I	High byte enable for MDATA bus
53	$\overline{\text{BUFDIS}}$	I	Disable Buffers when low
54	$\overline{\text{DLE}}$	I	Latch MDATA bus during a read
55	PLO	I	Low byte parity bit from DRAMs
56	PHI	I	High byte parity bit from DRAMs
57	$\overline{\text{ONBRD16}}$	I	$\overline{\text{ONBRD}}$ indicates a local DRAM operation
58	$\overline{\text{LOWMEG}}$	I	$\overline{\text{LOWMEG}}$ indicates access of low Mbyte of memory
59	$\overline{\text{MASTER}}$	I	Master on PC bus has control of the bus

TABLE 2-1. FE3031A PIN ASSIGNMENT INFORMATION



PIN#	SYMBOL	TYPE	FUNCTION
61-64 66-69	EDATA (0:7)	I/O	Peripheral Data Bus for FE3001, FE3010B, RTC and Keyboard controller
71	$\overline{\text{SMEMR}}$	O	Low 1 MB Memory Read to PC bus
72	$\overline{\text{SMEMW}}$	O	Low 1 MB Memory Write to PC bus
73	$\overline{\text{MEMR}}$	I/O	Memory read to/from AT bus
75	$\overline{\text{MEMW}}$	I/O	Memory read to/from AT bus
76	$\overline{\text{YMEMR}}$	I/O	Memory read to/from FE3001
77	$\overline{\text{YMEMW}}$	I/O	Memory write to/from FE3001
79	PERROR	O	RAM parity error
80-82 84-88 90-93 95-98	MDATA (0:15)	I/O	Memory Data bus
100	POHI	O	High byte parity bit to the DRAMs

TABLE 2-1. FE3031A PIN ASSIGNMENT INFORMATION, Continued



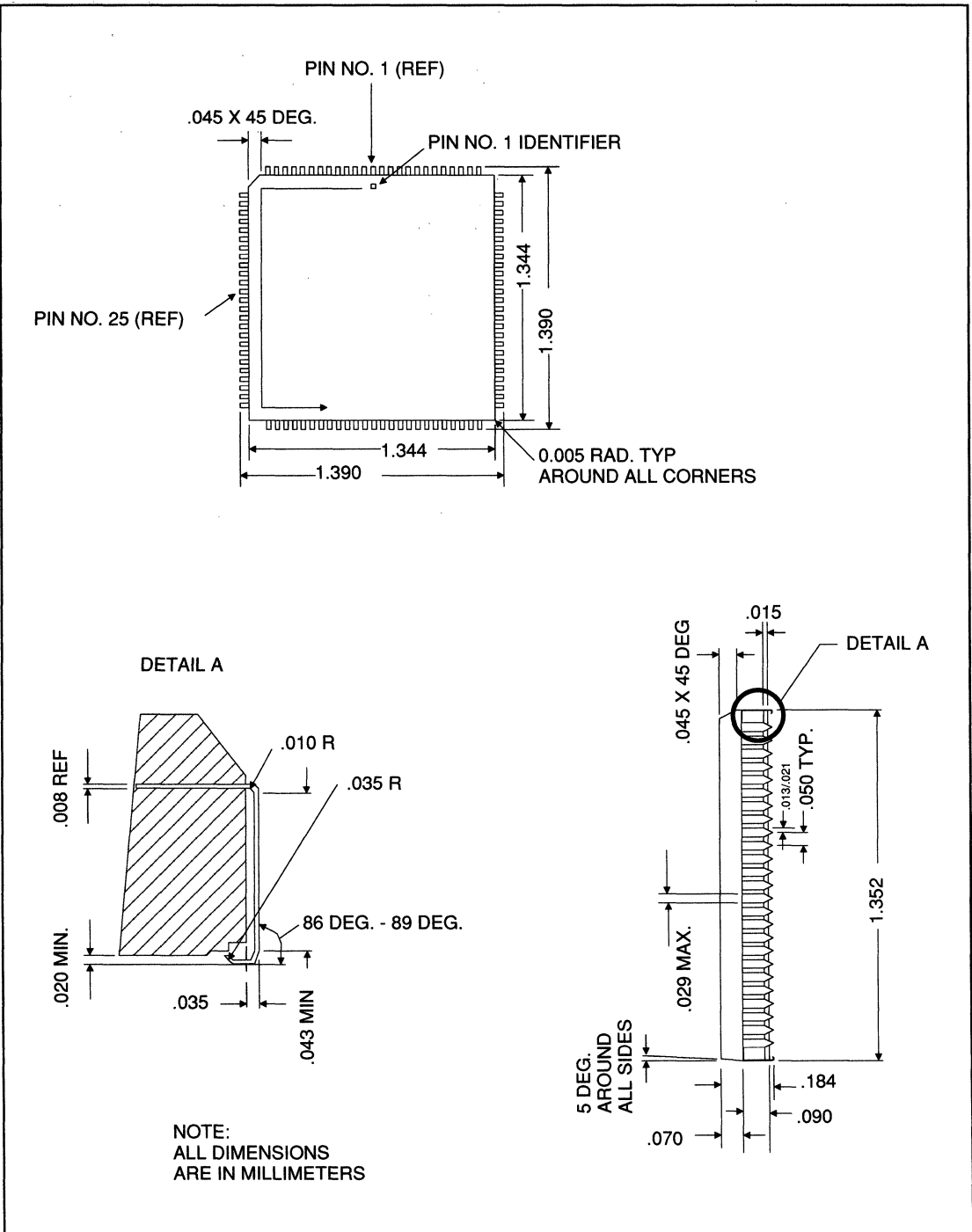


FIGURE 2-1. 100-PIN PLCC PACKAGING DIAGRAM



3.0 PC/AT DATA BUS CYCLES

This description of the data bus cycles of the FE3600B/C PC AT expansion bus includes CPU, DMA, and MASTER cycles. The data portion of the PC AT expansion bus is a 16-bit wide bus divided into two bytes. In general, the low byte (DATA[0:7]) is accessed during cycles in which the address is even. The high byte (DATA[8:15]) is accessed when the address is odd. During 16-bit operations, both low and high bytes are accessed. There are several combinations of byte wide, word wide, even and odd addressing. Each of these combinations present a unique pattern of bus buffer enables and directions. These data buffer control states are described in this document.

NOTES:

Eight bit devices on the PC AT bus are always on the low byte (DATA[0:7]) of the expansion bus regardless of address. Sixteen bit devices use ADR0 and EBHE to distinguish between high and low byte transfers.

In previous AT designs, the data buffers on the PC AT were inactive during DMA. This was due to the on-board DRAM being on the system bus. Now that the DRAM is on the CPU local bus the data buffers must be enabled and directed during DMA operations.

A block diagram of the data bus hardware on the PC AT board is shown in Figure 3-1. It represents the equivalent 74LSXXX circuitry for the data buffers contained on the board. Signals used in this document are discussed in Table 9-1.

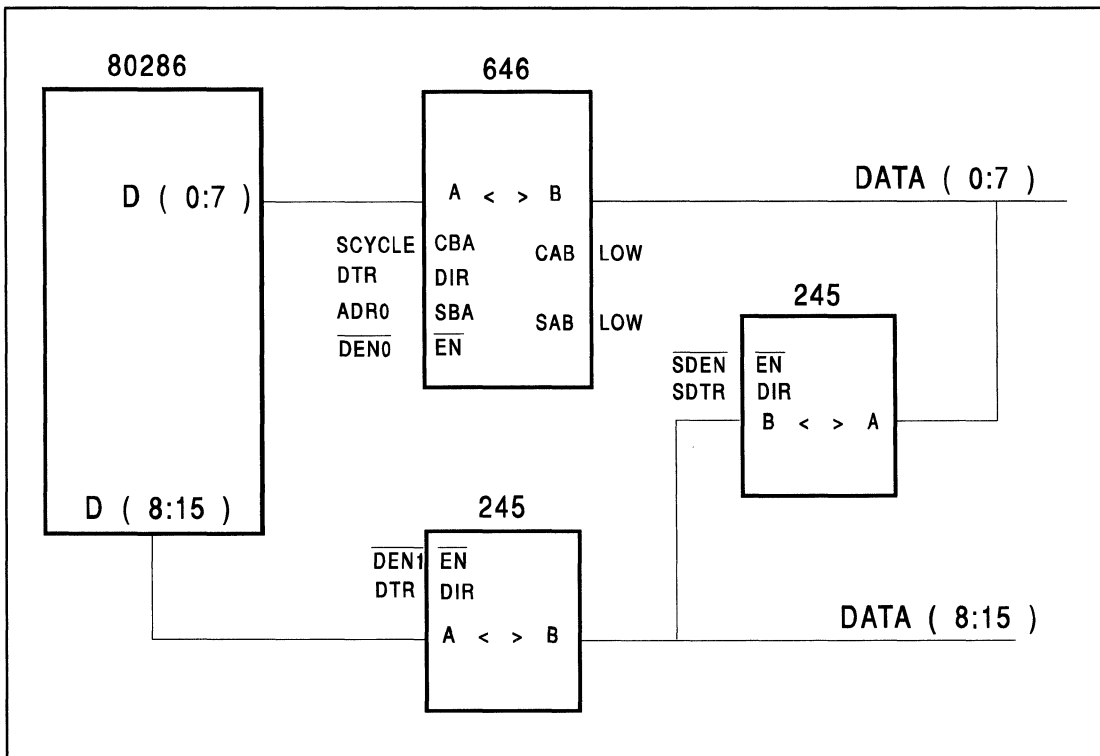


FIGURE 3-1. PC/AT DATA BUS ARCHITECTURE



'646				
EN DEN0	DIR DTR	CBA SCYCLE	SBA ADR0	OPERATION
X	X	X	X	LATCH B DATA
0	0	X	0	A <-----B (REAL TIME)
0	0	X	1	A <-----B (LATCHED DATA)
0	1	X	X	A ----->B (REAL TIME)
1	X	X	X	BUFFERS DISABLED

'245	
DIR	OPERATION
0	A <----- B
1	A -----> B

COMMAND SIGNALS	DEFINITIONS
S0, S1	BUS CYCLE STATUS FROM 286
MEMR	SYSTEM MEMORY READ
MEMW	SYSTEM MEMORY WRITE
IOR	SYSTEM I/O READ
IOW	SYSTEM I/O WRITE
NPCS	NUMERIC PROCESSOR CHIP SELECT
A0	ADDRESS BIT 0 FROM 286
BHE	BUS HIGH ENABLE FROM 286
HLDA	HOLD ACKNOWLEDGE FROM 286
HLDA1	DMA HOLD ACKNOWLEDGE FROM DMA CONTROLLER
PROMSL	BIOS DECODE FROM MEMORY/I/O DECODER
ONBRD	ON BOARD DRAM OR I/O DECODE
IOCS16	16-BIT I/O DEVICE DECODE FROM EXPANSION BUS
MEMCS16	16-BIT MEMORY DEVICE DECODE FROM EXPANSION BUS
MASTER	BUS CONTROL SIGNAL FROM BUS MASTER
DTR	DATA TRANSMIT/RECEIVE
DEN0	LOW BYTE DATA ENABLE
DEN1	HIGH BYTE DATA ENABLE
SDEN	BYTE SWAP BUFFER ENABLE
SCYCLE	LOW BYTE DATA LATCH
SDTR	BYTE SWAP BUFFER TRANSMIT/RECEIVE
ADR0	SYSTEM ADDRESS BIT 0

TABLE 3-1. SIGNAL DEFINITIONS



4.0 CPU CYCLES

The following cycles represent data cycles under CPU control for all devices excluding the on board DRAM and the 80287 Math Coprocessor. Since the 80287 and on-board DRAM are on the local bus, the data bus drivers for the expansion bus will be disabled. This is accomplished by setting DEN0, DEN1 and SDEN = 1 when ONBRD + /MNIO = 0 or NPCS = 0. Note that on-board I/O is indicated by ONBRD + MNIO = 0. On-board I/O devices are on the system bus.

The following cycles are described in this section:

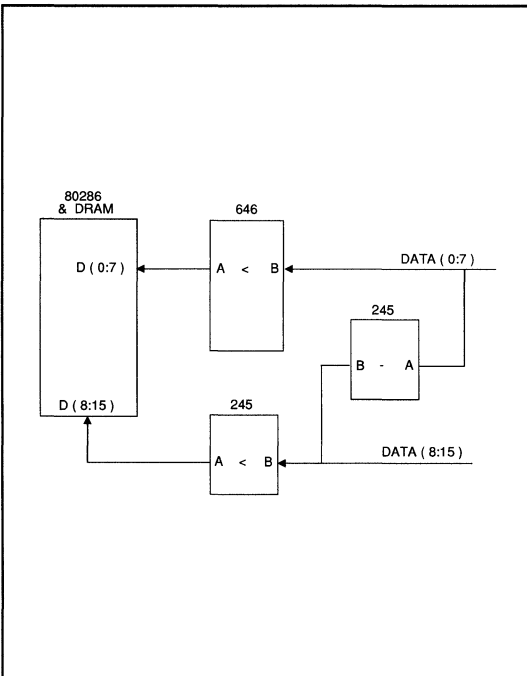
- 4.1 16-bit transfer, read from 16-bit device
- 4.2 16-bit transfer, write to 16-bit device
- 4.3 16-bit transfer, read from 8-bit device
- 4.4 16-bit transfer, write to 8-bit device
- 4.5 8-bit transfer, low byte read from 8 or 16-bit device
- 4.6 8-bit transfer, low byte write to 8 or 16-bit device

- 4.7 8-bit transfer, high byte read from 8-bit device
- 4.8 8-bit transfer, high byte write to 8-bit device
- 4.9 8-bit transfer, high byte read from 16-bit device
- 4.10 8-bit transfer, high byte write to 16-bit device

For all CPU cycles HLDA=0 and INTA- =1. In the following tables, CS16 indicates that there is a 16-bit device on the expansion bus. The boolean equation for CS16 is:

$$CS16 = \overline{(MNIO * NMEMCS16)} + (MNIO * NIOCS16) + NPROMCS$$

4.1 16-BIT READ FROM 16-BIT DEVICE

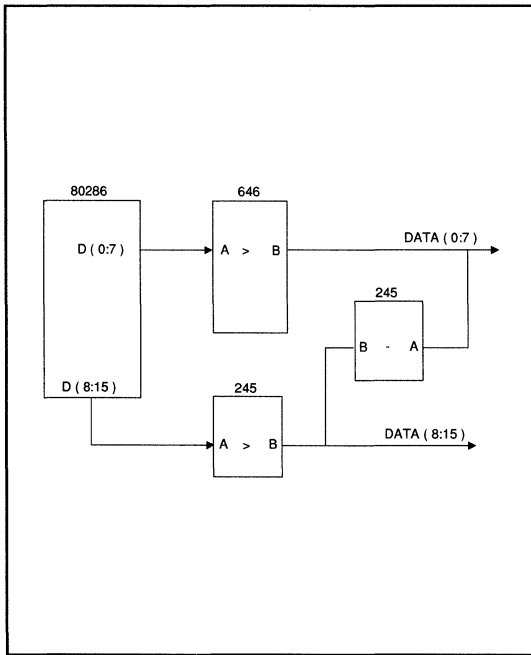


INPUT SIGNALS	STATE
S1	0
S0	1
A0	0
BHE	0
CS16	0

CONTROL SIGNALS	STATE
DTR	0
DEN0	0
DEN1	0
SDEN	1
SCYCLE	X
SDTR	X
ADRO	0



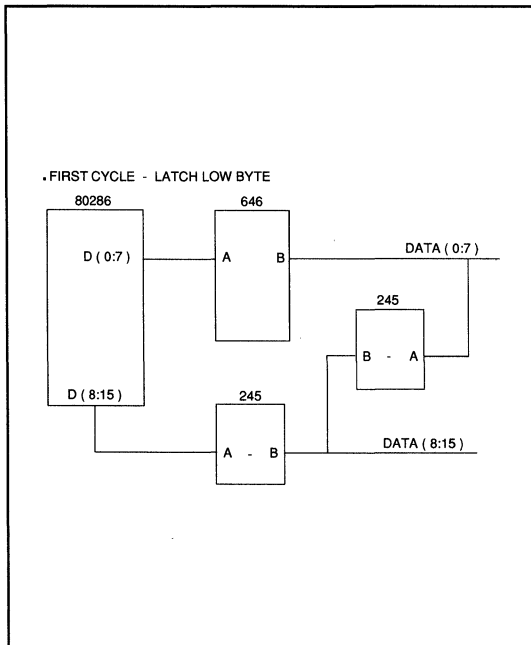
4.2 16-BIT WRITE TO 16-BIT DEVICE



INPUT SIGNALS	STATE
S1	1
S0	0
A0	0
$\overline{\text{BHE}}$	0
$\overline{\text{CS16}}$	0

CONTROL SIGNALS	STATE
DTR	1
$\overline{\text{DEN0}}$	0
$\overline{\text{DEN1}}$	0
$\overline{\text{SDEN}}$	1
SCYCLE	X
SDTR	X
ADRO	0

4.3 16-BIT READ FROM 8-BIT DEVICE

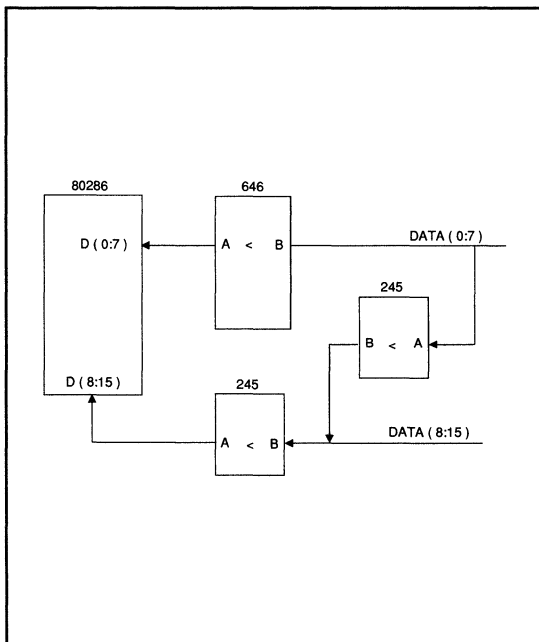


INPUT SIGNALS	STATE
S1	0
S0	1
A0	0
$\overline{\text{BHE}}$	0
$\overline{\text{CS16}}$	1

CONTROL SIGNALS	STATE
DTR	X
$\overline{\text{DEN0}}$	X
$\overline{\text{DEN1}}$	X
$\overline{\text{SDEN}}$	1
SCYCLE	^
SDTR	X
ADRO	0



* Second cycle - Enable latched low byte to 286 low byte and enable bus low byte to 286 or 386/SX high byte.



* SCYCLE must not change from low to high during the cycle.

INPUT SIGNALS	STATE
S1	0
S0	1
A0	0
$\overline{\text{BHE}}$	0
$\overline{\text{CS16}}$	1

CONTROL SIGNALS	STATE
DTR	0
DEN0	0
DEN1	0
SDEN	0
SCYCLE	X*
SDTR	1
ADRO	1

7

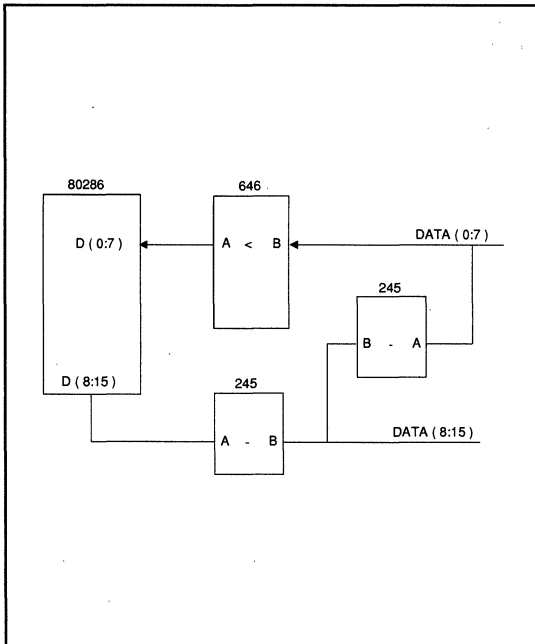
4.4 16-BIT WRITE TO 8-BIT DEVICE

INPUT SIGNALS	STATE
S1	1
S0	0
A0	0
$\overline{\text{BHE}}$	0
$\overline{\text{CS16}}$	1

- FIRST CYCLE
 - 8-bit, low byte write to 8-bit or 16-bit device
 - $\overline{\text{ADRO}}$ is driven low during this cycle
 - $\overline{\text{EBHE}}$ is driven high during this cycle
- SECOND CYCLE
 - 8-bit, high byte write to 8-bit device
 - $\overline{\text{ADRO}}$ is driven high during this cycle
 - $\overline{\text{EBHE}}$ is driven low during this cycle



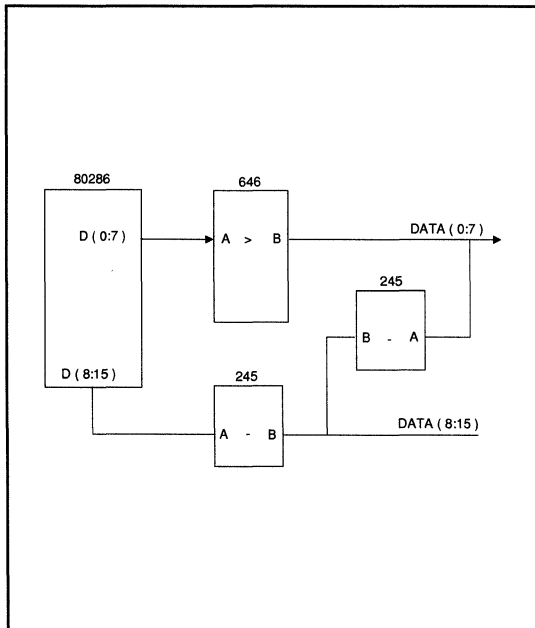
4.5 8-BIT, LOW BYTE READ FROM 8-BIT OR 16-BIT DEVICE



INPUT SIGNALS	STATE
S1	0
S0	1
A0	0
BHE	1
CS16	X

CONTROL SIGNALS	STATE
DTR	0
DEN0	0
DEN1	1
SDEN	1
SCYCLE	X
SDTR	X
ADRO	0

4.6 8-BIT, LOW BYTE WRITE TO 8-BIT OR 16-BIT DEVICE

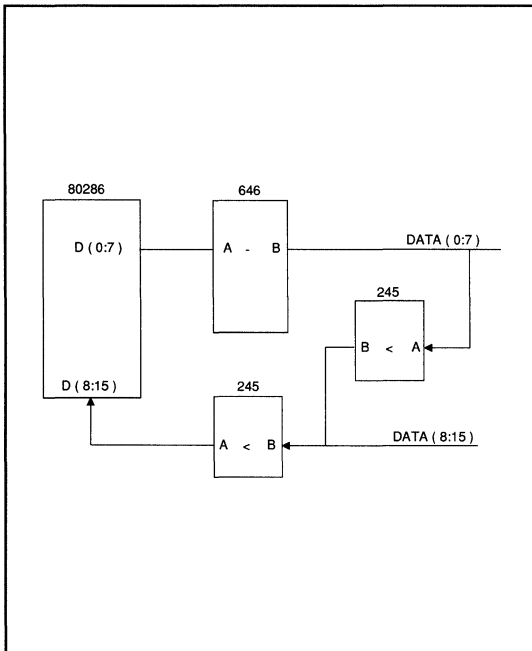


INPUT SIGNALS	STATE
S1	1
A0	0
BHE	1
CS16	X

CONTROL SIGNALS	STATE
DTR	1
DEN1	1
SDEN	1
SCYCLE	X
SDTR	X
ADRO	0



4.7 8-BIT, HIGH BYTE READ FROM 8-BIT DEVICE

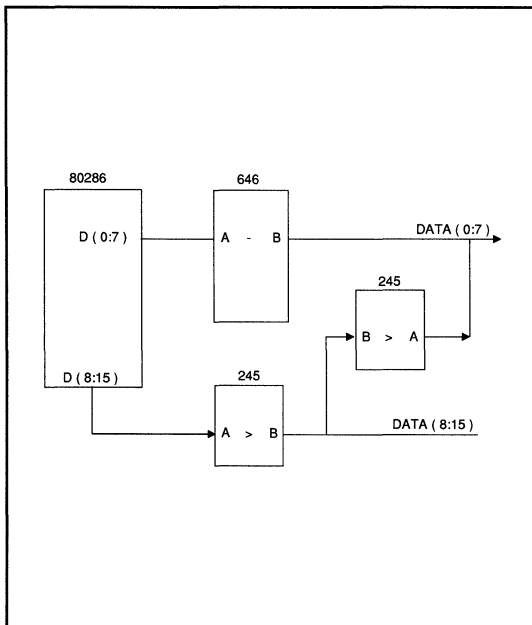


INPUT SIGNALS	STATE
S1	0
S0	1
A0	1
$\overline{\text{BHE}}$	0
CS16	1

CONTROL SIGNALS	STATE
DTR	0
$\overline{\text{DEN0}}$	1
DEN1	0
$\overline{\text{SDEN}}$	0
SCYCLE	X
SDTR	1
ADR0	1

7

4.8 8-BIT, HIGH BYTE WRITE TO 8-BIT DEVICE

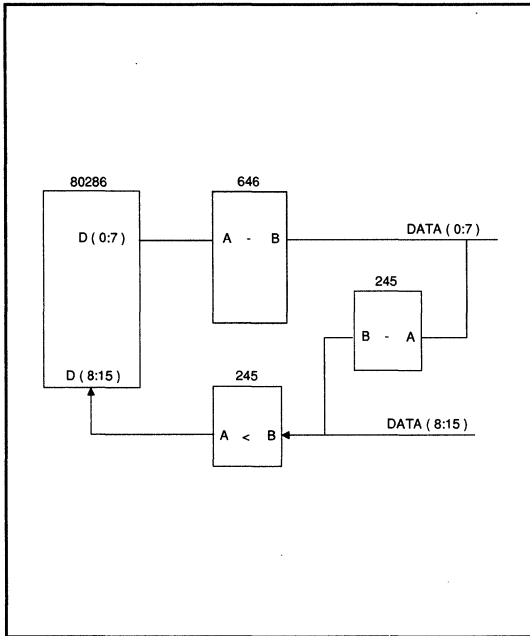


INPUT SIGNALS	STATE
S1	1
S0	0
A0	1
$\overline{\text{BHE}}$	0
$\overline{\text{CS16}}$	1

CONTROL SIGNALS	STATE
DTR	1
$\overline{\text{DEN0}}$	1
DEN1	0
$\overline{\text{SDEN}}$	0
SCYCLE	X
SDTR	0
ADR0	1



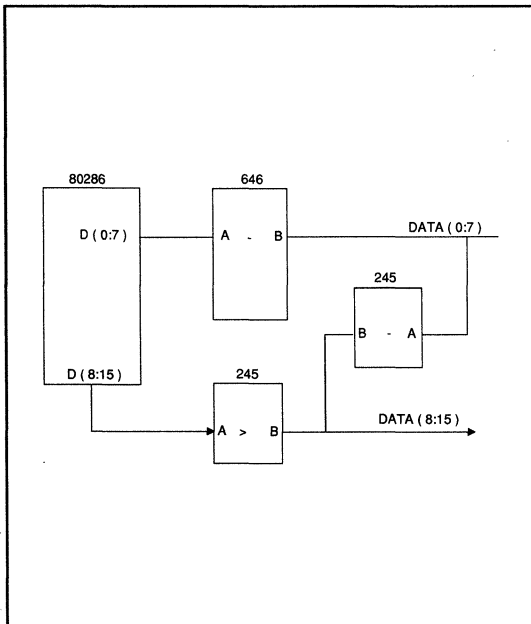
4.9 8-BIT, HIGH BYTE READ FROM 16-BIT DEVICE



INPUT SIGNALS	STATE
S1	0
S0	1
A0	1
$\overline{\text{BHE}}$	0
$\overline{\text{CS16}}$	0

CONTROL SIGNALS	STATE
DTR	0
$\overline{\text{DEN0}}$	1
$\overline{\text{DEN1}}$	0
SDEN	1
SCYCLE	X
SDTR	X
ADR0	1

4.10 8-BIT, HIGH BYTE WRITE TO 16-BIT DEVICE



INPUT SIGNALS	STATE
S1	1
S0	0
A0	1
$\overline{\text{BHE}}$	0
$\overline{\text{CS16}}$	0

CONTROL SIGNALS	STATE
DTR	1
$\overline{\text{DEN0}}$	1
$\overline{\text{DEN1}}$	0
SDEN	1
SCYCLE	X
SDTR	X
ADR0	1



5.0 DMA CYCLES

The following cycles represent data cycles under DMA control for all devices. DMA may be for on board DRAM ($\overline{\text{ONBRD}} = 0$) or system memory ($\overline{\text{ONBRD}} = 1$). Note that $\overline{\text{ONBRD}}$ decode for on-board I/O will be disabled during DMA.

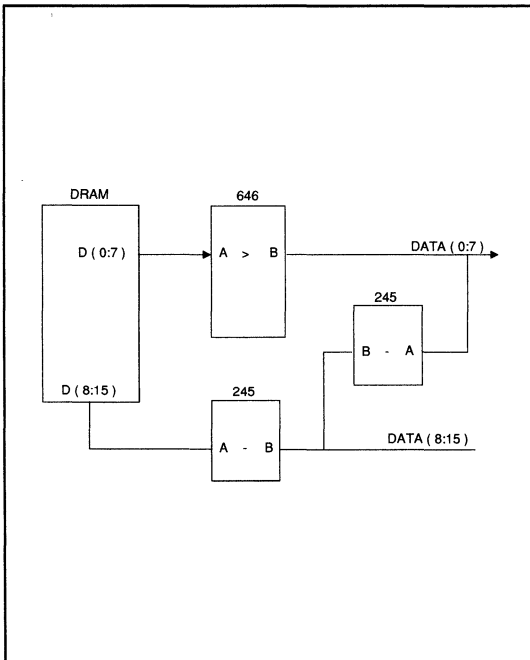
The following DMA cycles are described in this section.

- For on board DRAM ($\overline{\text{ONBRD}} = 0$)
- 5.1 8-bit DMA from even memory address to 8-bit I/O device.
- 5.2 8-bit DMA to even memory address from 8-bit I/O device.
- 5.3 8-bit DMA from odd memory address to 8-bit I/O device.
- 5.4 8-bit DMA to odd memory address from 8-bit I/O device.
- 5.5 16-bit DMA from memory to 16-bit I/O.
- 5.6 16-bit DMA to memory from 16-bit I/O.

- For system memory ($\overline{\text{ONBRD}} = 1$)
- 5.7 8-bit DMA from 16-bit memory, odd address to 8-bit I/O device.
- 5.8 8-bit DMA to 16-bit memory, odd address from 8-bit I/O device.
- For all other DMA cycles the data buffers are disabled.
- 5.9 All other DMA cycles.

For all DMA cycles $\text{HLDA} = 1$, $\text{HLDA}1 = 1$ and $\text{MASTER} = 1$.

5.1 8-BIT DMA TRANSFER FROM EVEN MEMORY ADDRESS TO 8-BIT I/O DEVICE

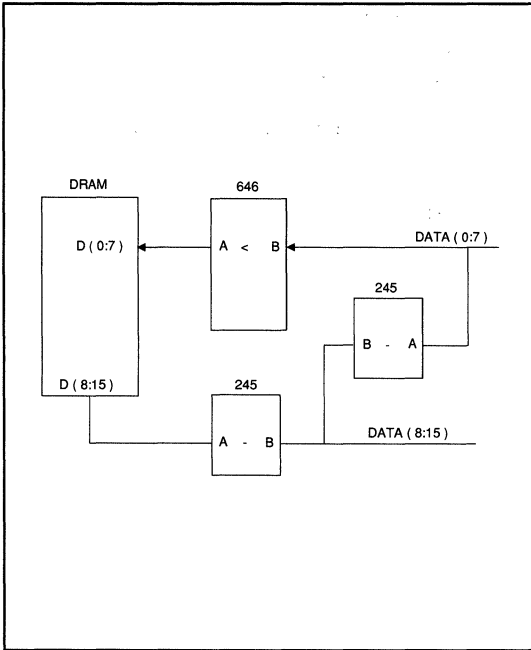


INPUT SIGNALS	STATE
DMAMR	0
MEMW	1
$\overline{\text{IOR}}$	1
$\overline{\text{IOW}}$	0
ADRO	0
EBHE	1

CONTROL SIGNALS	STATE
DTR	1
DEN0	0
$\overline{\text{DEN1}}$	1
SDEN	1
SCYCLE	X
SDTR	X



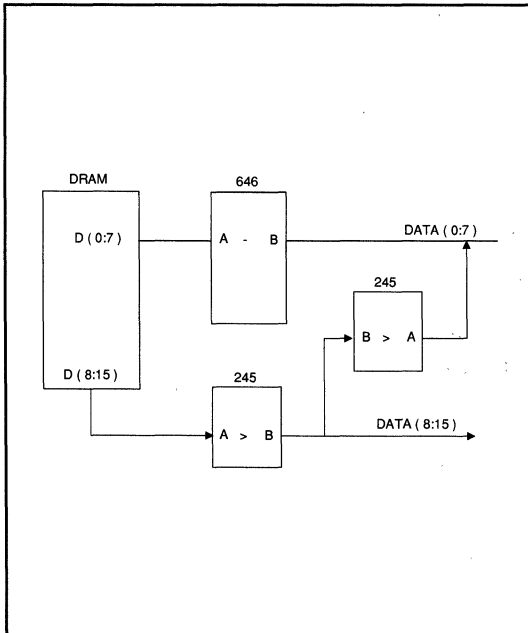
5.2 8-BIT DMA TRANSFER TO EVEN MEMORY ADDRESS FROM 8-BIT I/O DEVICE



INPUT SIGNALS	STATE
DMAMR	1
MEMW	0
IOR	0
IOW	1
ADR0	0
EBHE	1

CONTROL SIGNALS	STATE
DTR	0
DEN0	0
DEN1	1
SDEN	1
SCYCLE	X
SDTR	X

5.3 8-BIT DMA TRANSFER FROM ODD MEMORY ADDRESS TO 8-BIT I/O DEVICE

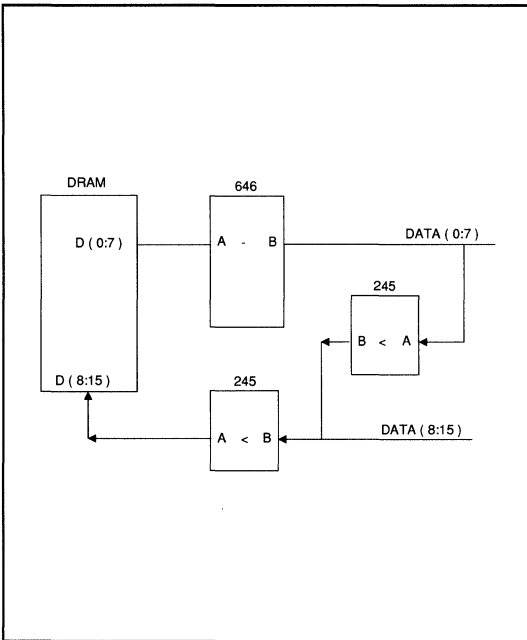


INPUT SIGNALS	STATE
DMAMR	0
MEMW	1
IOR	1
IOW	0
ADR0	1
EBHE	0

CONTROL SIGNALS	STATE
DTR	1
DEN0	1
DEN1	0
SDEN	0
SCYCLE	X
SDTR	0



5.4 8-BIT DMA TRANSFER TO ODD MEMORY ADDRESS FROM 8-BIT I/O DEVICE

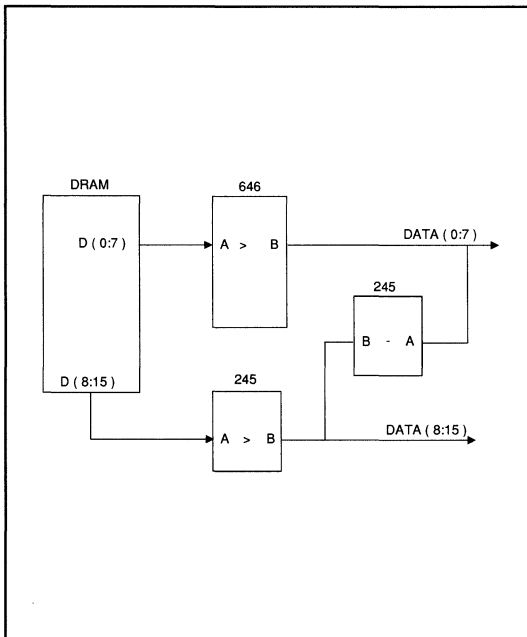


INPUT SIGNALS	STATE
DMAMR	1
MEMW	0
IOR	0
IOW	1
ADR0	1
EBHE	0

CONTROL SIGNALS	STATE
DTR	0
DEN0	1
DEN1	0
SDEN	0
SCYCLE	X
SDTR	1

7

5.5 16-BIT DMA TRANSFER FROM MEMORY TO 16-BIT I/O DEVICE

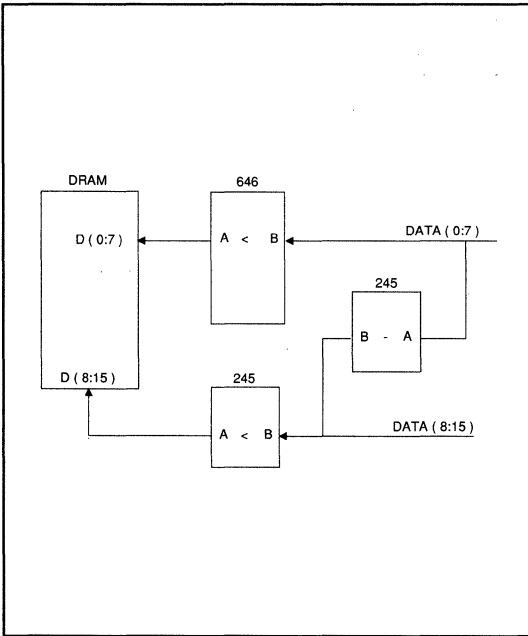


INPUT SIGNALS	STATE
DMAMR	0
MEMW	1
IOR	1
IOW	0
ADR0	0
EBHE	0

CONTROL SIGNALS	STATE
DTR	1
DEN0	0
DEN1	0
SDEN	1
SCYCLE	X
SDTR	X



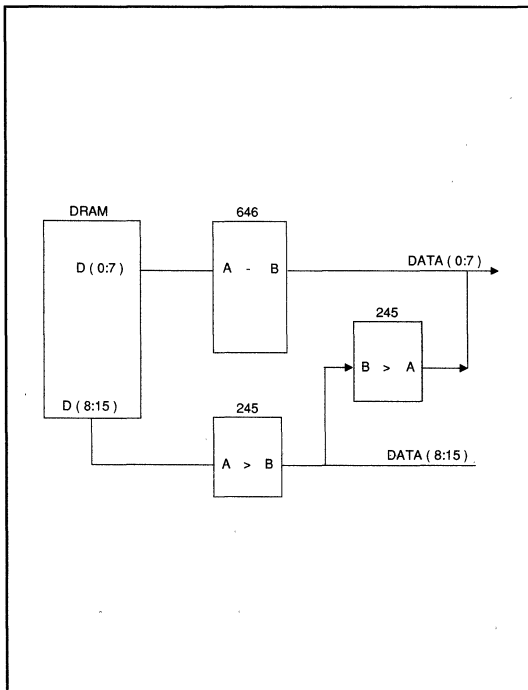
5.6 16-BIT DMA TRANSFER TO MEMORY FROM 16-BIT I/O DEVICE



INPUT SIGNALS	STATE
$\overline{\text{DMAMR}}$	1
$\overline{\text{MEMW}}$	0
$\overline{\text{IOR}}$	0
$\overline{\text{IOW}}$	1
ADRO	0
$\overline{\text{EBHE}}$	0

CONTROL SIGNALS	STATE
DTR	0
$\overline{\text{DEN0}}$	0
$\overline{\text{DEN1}}$	0
$\overline{\text{SDEN}}$	1
SCYCLE	X
SDTR	X

5.7 8-BIT DMA FROM 16-BIT MEMORY, ODD ADDRESS TO 8-BIT I/O DEVICE

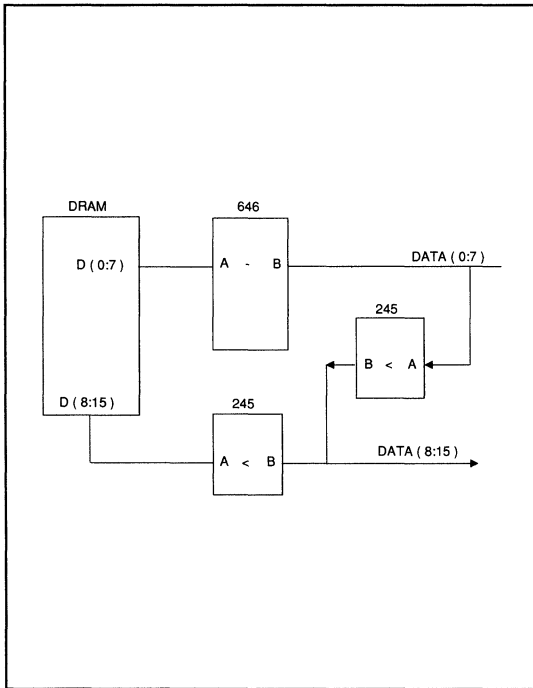


INPUT SIGNALS	STATE
$\overline{\text{DMAMR}}$	0
$\overline{\text{MEMW}}$	1
$\overline{\text{IOR}}$	1
$\overline{\text{IOW}}$	0
ADRO	1
$\overline{\text{EBHE}}$	0
$\overline{\text{MEMCS16}}^*$	0
PROMSL	0

CONTROL SIGNALS	STATE
DTR	X
$\overline{\text{DEN0}}$	1
$\overline{\text{DEN1}}$	1
$\overline{\text{SDEN}}$	0
SCYCLE	X
SDTR	0



5.8 8-BIT DMA TO 16-BIT MEMORY, ODD ADDRESS FROM 8-BIT I/O DEVICE

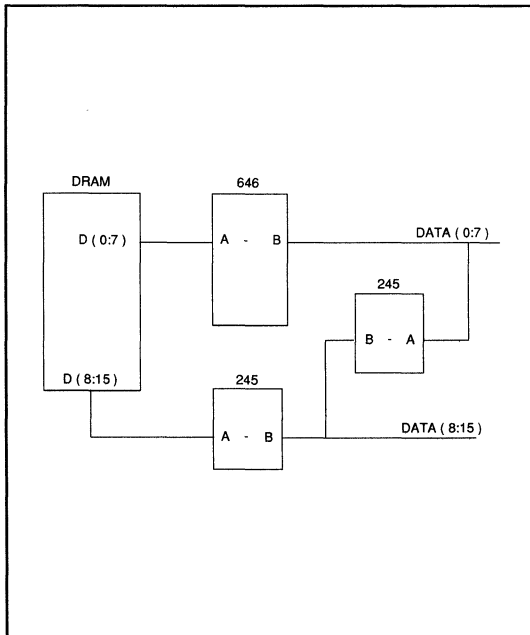


INPUT SIGNALS	STATE
DMAMR	1
MEMW	0
IOR	0
IOW	1
ADR0	1
EBHE	0
MEMCS16 *	0
PROMSL	0

CONTROL SIGNALS	STATE
DTR	X
DEN0	1
DEN1	1
SDEN	0
SCYCLE	X
SDTR	1

7

5.9 ALL OTHER DMA CYCLES (DATA BUFFERS DISABLED)



INPUT SIGNALS	STATE
DMAMR	
MEMW	
IOR	
IOW	
ADR0	
EBHE	0

CONTROL SIGNALS	STATE
DTR	X
DEN0	1
DEN1	1
SDEN	1
SCYCLE	X
SDTR	X



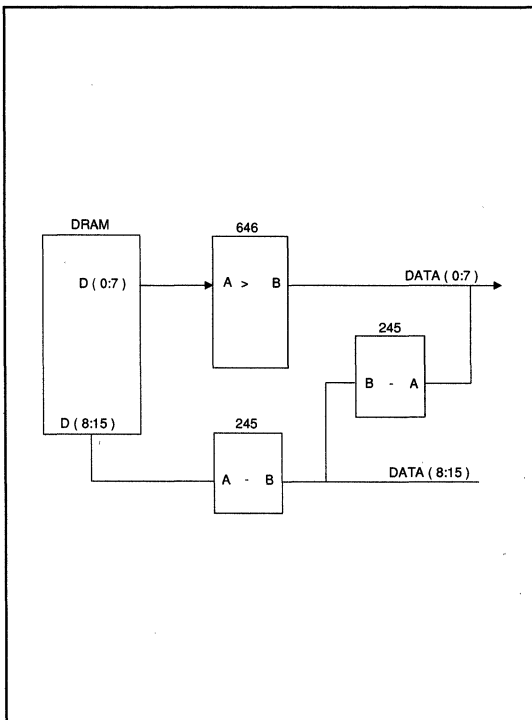
6.0 BUS MASTER CYCLES

The following cycles represent data cycles under the control of a bus master other than the 80286 or DMA controller. This condition is indicated by hold acknowledge active (HLDA=1) and bus master asserted (MASTER = 0). It is assumed that the bus master is always a 16-bit device. On-board DRAM and on-board I/O are distinguished by the memory or I/O read/write commands.

- For on-board DRAM
 - 6.1 8-bit transfer low byte read from memory
 - 6.2 8-bit transfer low byte write to memory
 - 6.3 8-bit transfer high byte read from memory
 - 6.4 8-bit transfer high byte write to memory
 - 6.5 16-bit transfer read from memory
 - 6.6 16-bit transfer write to memory

- For system memory and I/O
 - 6.7 8-bit transfer high byte read from 8-bit system memory or I/O
 - 6.8 8-bit transfer high byte write to 8-bit system memory or I/O

6.1 8-BIT BYTE READ FROM MEMORY

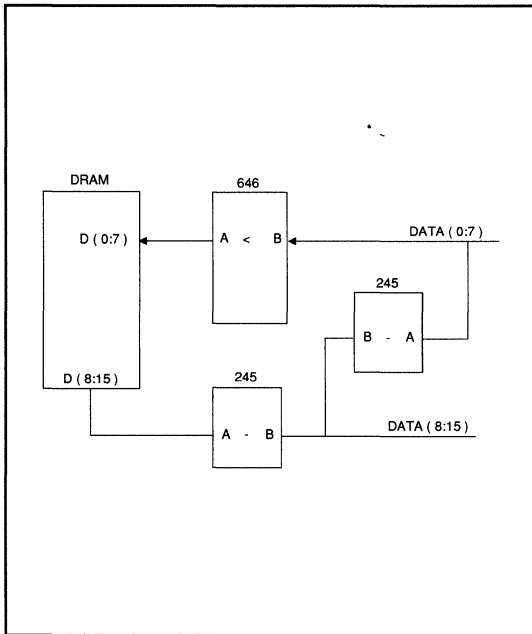


INPUT SIGNALS	STATE
MEMR	0
MEMW	1
ADR0	0
EBHE	1
CS16	1

CONTROL SIGNALS	STATE
DTR	1
DEN0	0
DEN1	1
SDEN	1
SCYCLE	X
SDTR	X



6.2 8-BIT LOW BYTE WRITE TO MEMORY

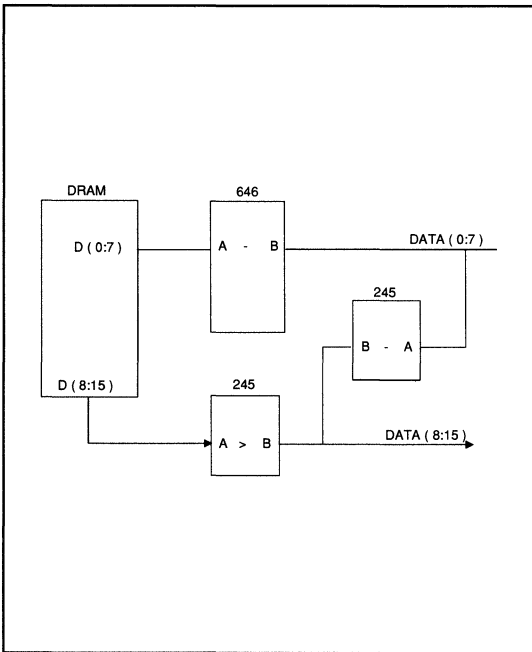


INPUT SIGNALS	STATE
$\overline{\text{MEMR}}$	1
$\overline{\text{MEMW}}$	0
$\overline{\text{ADRO}}$	0
$\overline{\text{EBHE}}$	1
$\overline{\text{CS16}}$	1

CONTROL SIGNALS	STATE
DTR	0
$\overline{\text{DEN0}}$	0
$\overline{\text{DEN1}}$	1
$\overline{\text{SDEN}}$	1
SCYCLE	X
SDTR	X

7

6.3 8-BIT HIGH BYTE READ FROM MEMORY

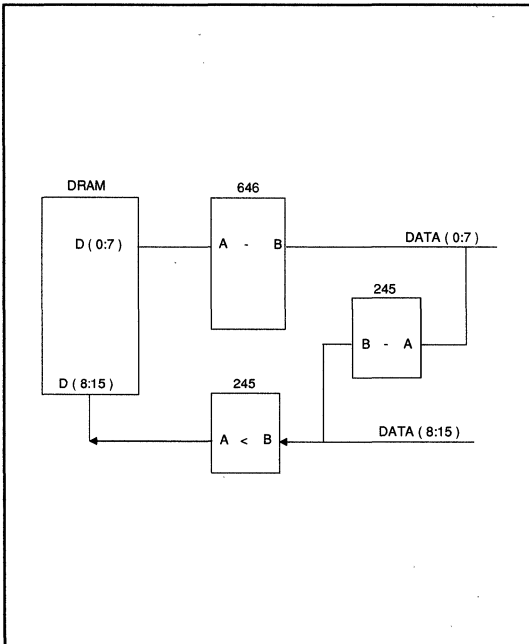


INPUT SIGNALS	STATE
$\overline{\text{MEMR}}$	0
$\overline{\text{MEMW}}$	1
$\overline{\text{ADRO}}$	1
$\overline{\text{EBHE}}$	0
$\overline{\text{CS16}}$	1

CONTROL SIGNALS	STATE
DTR	1
$\overline{\text{DEN0}}$	1
$\overline{\text{DEN1}}$	0
$\overline{\text{SDEN}}$	1
SCYCLE	X
SDTR	X



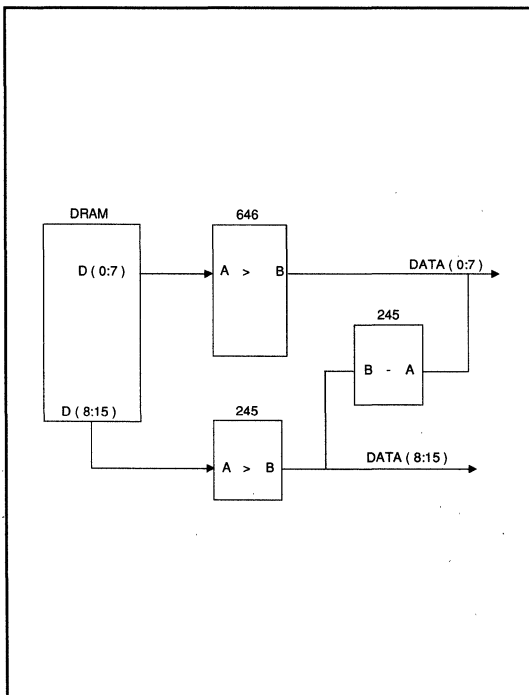
6.4 8-BIT HIGH BYTE WRITE TO MEMORY



INPUT SIGNALS	STATE
MEMR	1
MEMW	0
ADRO	1
EBHE	0
CS16	1

CONTROL SIGNALS	STATE
DTR	0
DEN0	1
DEN1	0
SDEN	1
SCYCLE	X
SDTR	X

6.5 16-BIT READ FROM MEMORY

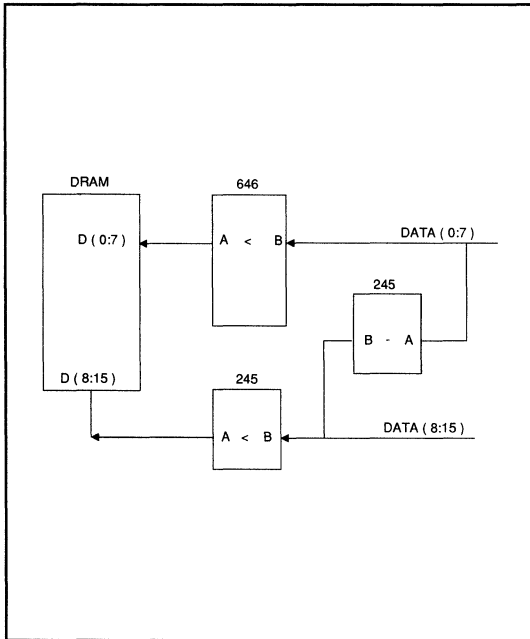


INPUT SIGNALS	STATE
MEMR	0
MEMW	1
ADRO	0
EBHE	0
CS16	1

CONTROL SIGNALS	STATE
DTR	1
DEN0	0
DEN1	0
SDEN	1
SCYCLE	X
SDTR	X



6.6 16-BIT WRITE TO MEMORY

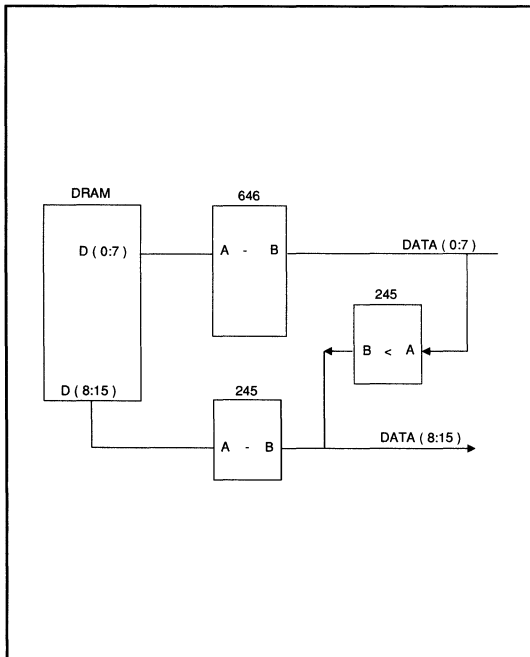


INPUT SIGNALS	STATE
MEMR	1
MEMW	0
ADR0	0
EBHE	0
CS16	1

CONTROL SIGNALS	STATE
DTR	0
DEN0	0
DEN1	0
SDEN	1
SCYCLE	X
SDTR	X

7

6.7 8-BIT HIGH BYTE READ FROM 8-BIT DEVICE

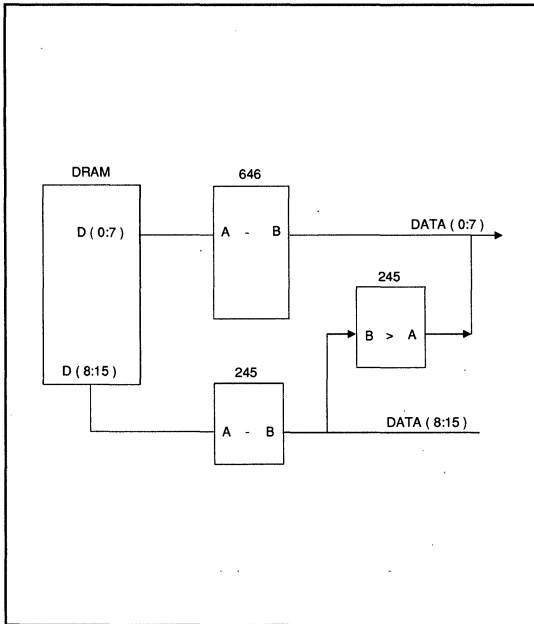


INPUT SIGNALS	STATE
MEMR * IOR	0
MEMW * IOW	1
ADR0	1
EBHE	0
CS16	1

CONTROL SIGNALS	STATE
DTR	X
DEN0	1
DEN1	1
SDEN	0
SCYCLE	X
SDTR	1



6.8 8-BIT HIGH BYTE WRITE TO 8-BIT DEVICE



INPUT SIGNALS	STATE
MEMR * IOR	1
MEMW * IOW	0
ADR0	1
EBHE	0
CS16	1

CONTROL SIGNALS	STATE
DTR	X
DEN0	1
DEN1	1
SDEN	0
SCYCLE	X
SDTR	0

7.0 ABSOLUTE MAXIMUM RATINGS

- Ambient Temperature (operating)0° to +70°C
- Storage Temperature40° to +125°C
- Voltage on any pin to ground+7V
- Power Dissipation400 mW



8.0 DC CHARACTERISTICS

SYMBOL	PARAMETER	MIN	MAX	UNIT	TEST CONDITION
V _{IL}	Input LOW Voltage		0.8	V	
V _{IH}	Input HIGH Voltage	2.0		V	
I _{OL}	LOW V Output Current ¹		4	m	V _{OL} = 0.4V
I _{OH}	HIGH V Output Current ¹		-4	mA	V _{OH} = 2.4V
I _{OL}	LOW V Output Current ²		6.4	mA	V _{OL} = 0.4V
I _{OH}	HIGH V Output Current ²		-6.4	mA	V _{OH} = 2.4V
.V _{DD}	Supply Voltage	4.75	5.25	V	

TABLE 8-1. DC CHARACTERISTICS

7

Notes:

1. Output currents are for D(0:15), EDATA(0:7), MEMR, YMEMW, PERROR
2. Output currents are for DATA(0:15), MDATA(0:15), MEMR, MEMW, SMEMR, SMEMW, POLO, PHI



9.0 AC CHARACTERISTICS

SIGNAL PATH		PROP DLY (MAX) ₁		UNIT	NOTES	
		16 MHz	20 MHz			
D(0:7) from	DATA (0:7)	22	22	ns	1	
	MDATA (0:7)	20	20	ns		
	ADR0	30	30	ns		
	BUFDIS	30	30	ns		
	ONBRD16	30	30	ns		
	YMEMR	30	30	ns		
	DEN0	30	30	ns		
	DATA (8:15)	40	40	ns		
	EDATA (0:7)	40	40	ns		
	NSDEN	50	50	ns		
SDTR	50	50	ns			
D(8:15) from	DATA (8:15)	22	22	ns	1	
	MDATA (8:15)	20	20	ns		
	ABHE	30	30	ns		
	BUFDIS	30	30	ns		
	ONBRD16	30	30	ns		
	YMEMR	30	30	ns		
	DEN1	30	30	ns		
	DATA (0:7)	40	40	ns		
	EDATA (0:7)	40	40	ns		
	NSOEN	50	50	ns		
NSDEN	50	50	ns			
DATA (0:7) from	D(0:7)	22	22	ns	1,2	
	D(8:15)	40	40	ns		
	DATA(8:15)	22	22	ns		
	EDATA(0:7)	22	22	ns		
	SDEN	30	30	ns		
	DEN0	30	30	ns		
	INTA	30	30	ns		
	SELDATA	30	30	ns		
	MDATA(0:7)	40	40	ns		
	MDATA(8:15)	60	60	ns		
	SDTR	30	30	ns		
	NSDEN	30	30	ns		
	Setup Time from	SCYCLE	07	07		ns
	Hold Time from	SCYCLE	05	05		ns
DATA (8:15) from	D (8:15)	22	22	ns	1,2	
	DATA (0:7)	22	22	ns		
	DEN1	30	30	ns		
	MDATA(8:15)	40	40	ns		

TABLE 9-1. AC CHARACTERISTICS



SIGNAL PATH	PROP DLY (MAX) ¹		UNIT	NOTES	
	16 MHz	20 MHz			
DATA(8:15) continued					
NSDEN	30	30	ns	1,2	
SDTR	30	30	ns		
EDATA (0:7) from					
DATA(0:7)	36	36	ns		
D(0:7)	36	36	ns		
D (8:15)	36	36	ns		
INTA	40	40	ns	1	
SELDATA	40	40	ns		
NSDEN	40	40	ns		
SDTR	40	40	ns		
YMEMW from					
MEMW	33	33	ns		
MASTER	40	40	ns		
YMEMR from					
MEMR	33	33	ns	1	
MASTER	40	40	ns		
MEMW from					
YMEMW	20	20	ns		
MASTER	30	30	ns	1	
ONBRD16	30	30	ns		
MEMR from					
YMEMW	20	20	ns		
MASTER	30	30	ns	1	
ONBRD16	30	30	ns		
SMEMW from					
YMEMW	20	20	ns		
MASTER	30	30	ns	1	
ONBRD16	30	30	ns		
SMEMR from					
YMEMW	20	20	ns		
MASTER	30	30	ns	1	
ONBRD16	30	30	ns		
PERROR from					
MDATA(0:15)	30	30	ns		
PLO	40	40	ns		
PHI	40	40	ns	1	
ADR0	40	40	ns		
ABHE	40	40	ns		
POLO	from D(0:7)	19	19	ns	1
POHI	from D(8:15)	19	19	ns	1
MDATA (0:7) from D (0:7)					
ADR0	18	18	ns		
ONBRD16	27	27	ns		
YMEMR	30	25	ns	1	
DLE	30	30	ns		
DATA(0:7)	30	30	ns		
DEN0	40	40	ns		
	50	50	ns		

TABLE 9-1. AC CHARACTERISTICS, Continued



SIGNAL PATH	PROP DLY (MAX)1		UNIT	NOTES
	16 MHz	20 MHz		
MDATA(0:15)				
PL0, PH1 Setup Time from NDLE	05	05	ns	
PL0, PH1 Hold Time from NDLE	05	05	ns	
MDATA(8:15) from <u>D(8:15)</u>	18	18	ns	
<u>ABHE</u>	27	27	ns	
<u>ONBRD16</u>	30	25	ns	
<u>YMEMR</u>	30	30	ns	1
<u>DATA(0:7)</u>	40	40	ns	
<u>DATA (8:15)</u>	40	40	ns	
<u>DLE</u>	30	30	ns	

TABLE 9-1. AC CHARACTERISTICS, Continued

Notes:

1. Prop delays are for 75 pf load.
2. Add 8 ns for 200 pf load.

